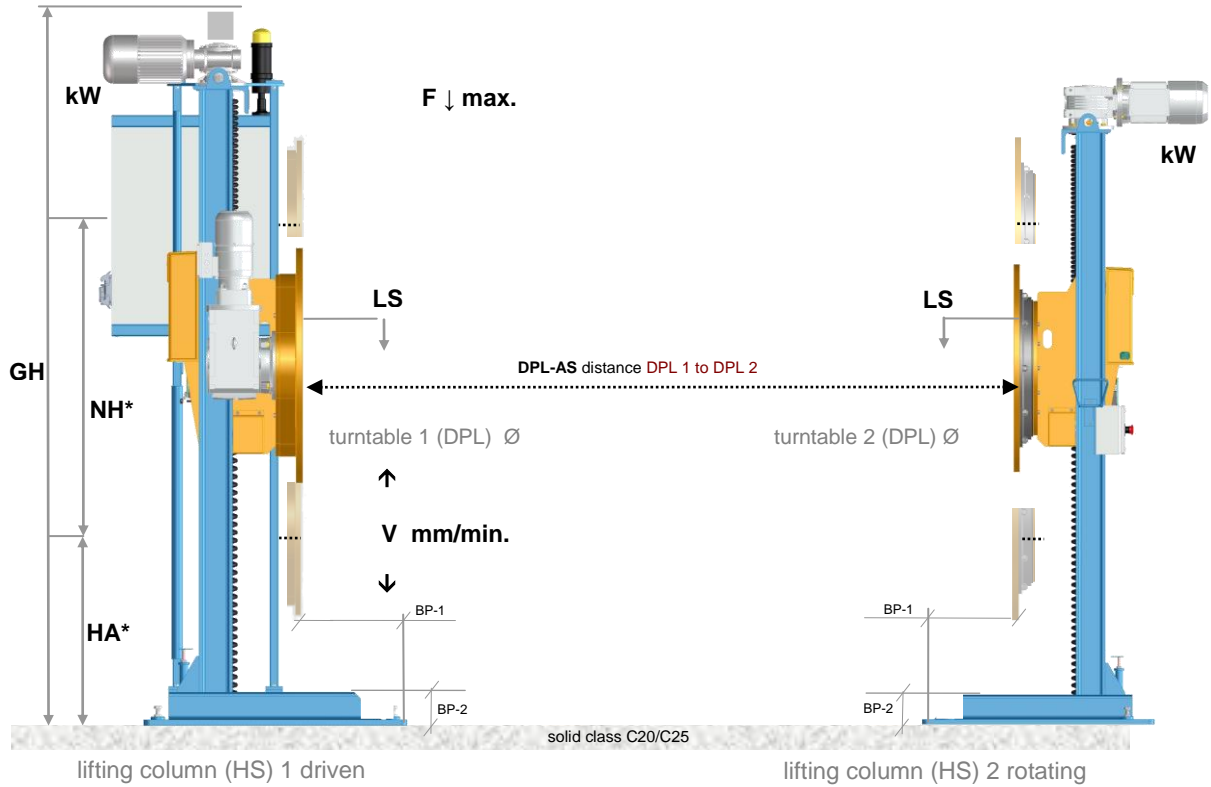
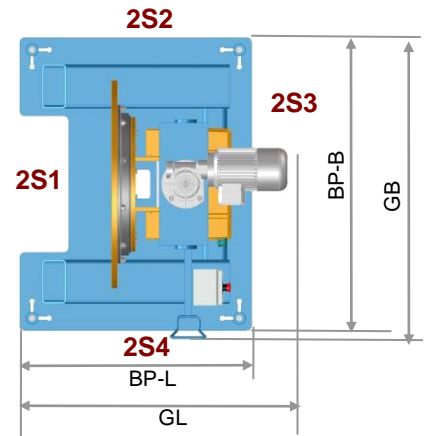
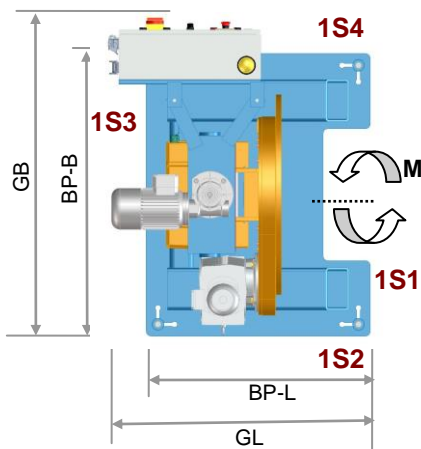


# Technical data

## HYWEMA® - Lift and rotating device TYPE HDV DUO



\* middle turntable



Date 2012-11

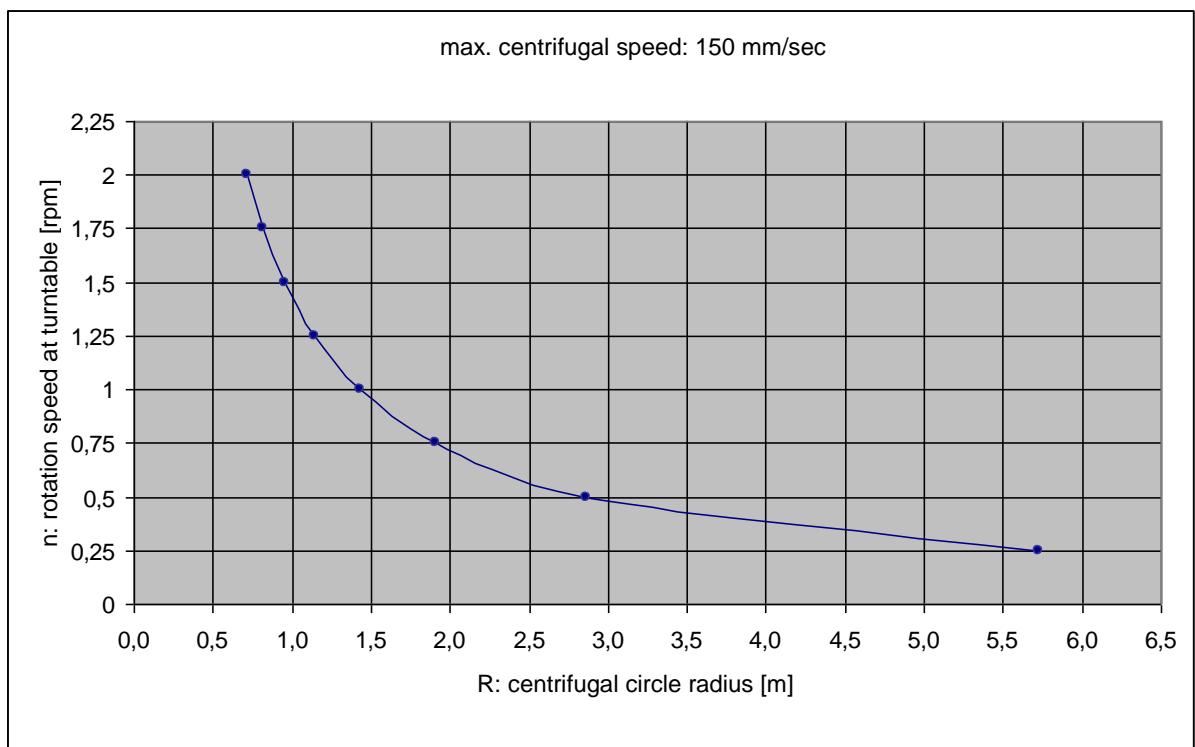
Technical Data / Type	Capacity each HS [kg] Load distribution 1:1 at DUO	Torque max. [Nm] only HS 1	Load center max [mm] in front of turntable	Lifting speed [mm/min]	Beginning stroke [mm]	Stroke + max. additional stroke [mm] Surcharge each 100 mm	End stroke [mm]	Turntable $\varnothing$ [mm]
-----------------------	--	-------------------------------	---	------------------------	--------------------------	---	--------------------	---------------------------------

HDV-DUO	F	M	LS	V ~	HA	NH	HE	DPL
HDVD030-025A4	1,500	2,500	500	500	600	1,400+800	2,000	860
HDVD050-050A3	2,500	5,000	500	500	600	1,400+600	2,000	860
HDVD050-100A3	2,500	10,000	500	500	600	1,400+600	2,000	1,000
HDVD080-050A3	4,000	5,000	500	500	600	1,400+400	2,000	860
HDVD080-100A3	4,000	10,000	500	500	600	1,400+400	2,000	1,000
HDVD100-100A2	5,000	10,000	500	500	600	1,400+100	2,000	1,000
<b>HDVD120-100A2</b>	<b>6,000</b>	<b>10,000</b>	<b>500</b>	<b>500</b>	<b>600</b>	<b>1,400+100</b>	<b>2,000</b>	<b>1,000</b>
HDVD150-150A2	7,500	15,000	500	500	800	1,700 hSp.	2,500	1,150
HDVD200-150A2	10,000	15,000	500	500	800	1,700 hSp.	2,500	1,150

Technical Data / Type	Power Lifting speed [kw]	Power Rotation [kw]	Power supply CEE plug [A]	On-site slow blow fused [A]	Clearances at base plate [mm]	Height overall [mm]	Length overall [mm]	Width overall [mm]	Length base plate [mm]	Base plate Width in [mm]
-----------------------	-----------------------------	------------------------	------------------------------	--------------------------------	-------------------------------------	------------------------	------------------------	-----------------------	---------------------------	-----------------------------

HDV-DUO					BP-1	BP-2	GH	GL	GB	BP-L	BP-B
HDVD030-025A4	2.20	0.37	16A	16A	377	130	2,805	1,100 HS1 1,100 HS2	1,360 HS1 1,235 HS2	950	1,200
HDVD050-050A3	2.20	0.75	16A	16A	358	130	2,840	1,170 HS1 1,170 HS2	1,400 HS1 1,235 HS2	950	1,200
HDVD050-100A3	2.20	1.50	16A	16A	358	130	2,840	1,200 HS1 1,170 HS2	1,560 HS1 1,235 HS2	950	1,200
HDVD080-050A3	2.20	0.75	16A	16A	358	130	2,840	1,170 HS1 1,170 HS2	1,400 HS1 1,235 HS2	950	1,200
HDVD080-100A3	2.20	1.50	16A	16A	358	130	2,840	1,200 HS1 1,170 HS2	1,560 HS1 1,235 HS2	950	1,200
HDVD100-100A2	2.20	1.50	16A	16A	353	130	2,840	1,200 HS1 1,170 HS2	1,560 HS1 1,200 HS2	950	1,200
<b>HDVD120-100A2</b>	<b>2.85</b>	<b>1.50</b>	<b>32A</b>	<b>32A</b>	<b>353</b>	<b>130</b>	<b>2,840</b>	<b>1,200 HS1 1,170 HS2</b>	<b>1,560 HS1 1,200 HS2</b>	<b>950</b>	<b>1,200</b>
HDVD150-150A2	3.00	2.20	32A	32A	219	135	3,545	1,250 HS1 1,250 HS2	1,760 HS1 1,200 HS2	950	1,200
HDVD200-150A2	4.00	2.20	32A	32A	219	135	3,545	1,250 HS1 1,250 HS2	1,760 HS1 1,200 HS2	950	1,200

Operation Voltage      3 Ph 400 V 50 Hz (L1, L2, L3, N, PE) right-hand motion  
Control voltage        24 V DC  
Protection class        IP54



# Product Information

## HYWEMA® - System components Lift- and Rotating device HDV DUO

